



DM Temperature Controller Thermostat Module Instruction Manual

Home » [DM DIY MORE](#) » [DM Temperature Controller Thermostat Module Instruction Manual](#) 

Contents [[hide](#)]

1 DM STC-1000 Operation Instruction

- 1.1 Main function
- 1.2 Specification and size
- 1.3 Technical parameters
- 1.4 Panel instruction
- 1.5 Key operation instruction
- 1.6 Operation instruction
- 1.7 Wiring diagram
- 1.8 Indicator light status instruction
- 1.9 Menu instruction
- 1.10 Error description
- 1.11 Safety Regulations
- 1.12 File Downloads
- 1.13 Related Manuals

DM STC-1000 Operation Instruction



STC-1000

Temperature Controller

Main function

Switch the modes between cool and heat; Control temperature by setting the temperature set value and the difference value; Temperature calibration; Refrigerating control output delay protection; Alarm when temperature exceeds temperature limit or when sensor error.

Specification and size

Front panel size: 75(L)x34.5(W)(mm)
Mounting size: 71(L)x29(W)(mm)
Product size: 75(L)*34.5(W)x85(D)(mm)
Sensor length: 1m(include the probe)

Technical parameters

Temperature measuring range:50°C~120°C
Resolution:0.1 °C
Accuracy:±1 °C(50°~70°C)
Power supply: DC 12V-72V/AC 110V-220V
Power consumption: <3W

Sensor: NTC sensor(1 PC)
Relay contact capacity: Cool(10A/250VAC); Heat(10A/250VAC)
Ambient temperature:0°C-60°C
Storage temperature:-30°C~75
Relative humidity: 20-85%(No condensate)

Panel instruction

Display instruction: Three-digit LED + Minus digit + Status indicator light (Status indicator light (Cool, Heat) + Set indicator light (Set)) Key instruction: “S” Key: the key to set; “▲” key: Up key; “▼” key: Down key; “□”: the key to turn on and off the power



Key operation instruction

1. The way to check parameter:

Under normal working status, press “▲” key it displays temperature setting value; press “▼” key it displays the difference value.

2. The way to set parameter:

Under controller normal working status, press “S” key for 3s or more to enter parameter modifying mode, and the “Set” indicator light on, screen displays the first menu code “F1”.

Press “▲” key or “▼” key to adjust up and down and display the menu item and the code of the menu item.

Press “S” key to display the parameter value of the current menu. Press both “S” key and hold “▲” key or “▼” key simultaneously to choose and adjust the parameter value of the current menu value promptly. After

finishing the setting, press and release the “□” key instantly to save the parameter modified value and return to display the normal temperature value. If no key operation within 10 seconds, system won't save modified parameter, screen back to display normal temperature.

3. Restore system data When electrified, system will check itself, screen will display “Er” if error exit, please press any key at this time, and it restores default value and enter into normal working mode, it is advised to reset the parameter value under such conditions

Operation instruction

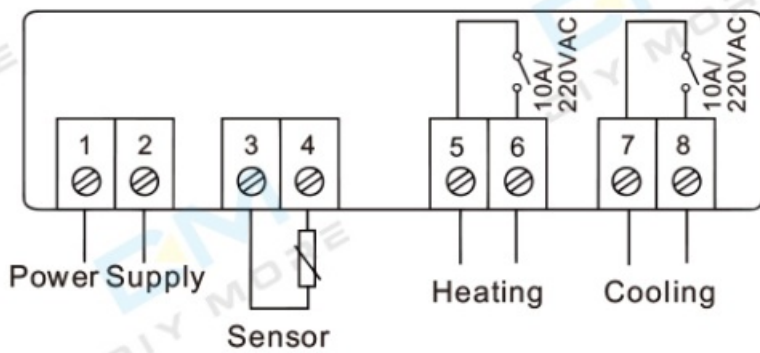
Under controller normal working status, press and hold “□” key for 3s can turn off the controller; Under controller “off” status, press and hold “□” key for 1s can turn on the controller.

Under the controller normal working status, screen displays the current measuring temperature value; also the controller can also switch the working mode between heating and cooling.

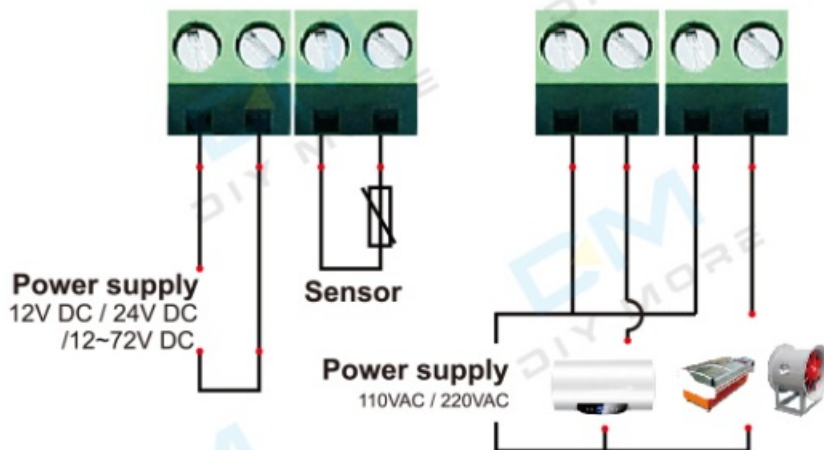
Controller starts refrigerating with cool indicator light on when the measuring temperature value \geq temperature set value+difference value, and the refrigerating relay is connected; If the “Cool”indicator light flashes, it indicates the refrigerating equipment is under compressor delay protect status; when the measuring temperature values \leq temperature set value, the Cool indicator light on, and refrigerating relay disconnects.

System starts heating when the measuring temperature value \leq the temperature set value-difference value, and the “Heat” indicator light on, the heat relay connects; When the measuring temperature 2 temperature set value the “Heat” indicator light is off, and the heat relay disconnects.

Wiring diagram



Connection 1: Independent power supply for load



Connection 2: Same power supply for load

Note: There is no voltage output from the output terminal of the thermostat, So the device needs to be connected to a power supply

Indicator light status instruction

Indicator light	Function	Note
Cool indicator light	On:Refrigeration starts;Off:Refrigeration stops;Flash:compressor delay	Cool,Heat indicator light can not be“on” status simultaneously
Heat indicator light	On:heating starts;Off:heating stops	
Set indicator light	On:parameter setting status	

Menu instruction

Code	Function	Set range	Default	Note
F1	Temperature set value	-50.0~99°C	10.0°C	
F2	Difference set value	0.3~10.0°C	0.5°C	
F3	Compressor delay time	1~10minutes	3minutes	
F4	Temperature calibration value	-10.0°C~10.0°C	0°C	

Error description

Alarm when sensor error: Controller activate the sensor error alarm mode when sensor open circuit or short circuit, all the running status is closed off with the buzzer alarms, and the nixie tube displays “EE”, press any key can cancel alarm sound, system back to display the normal temperature when the error and the fault is cleared.

Alarm when the measuring temperature exceeds temperature measuring range: Controller activates the error alarm function when the measuring temperature exceeds the temperature measuring range, all the running status is closed off with the buzzer alarms, and the nixie tube displays “HH”, Press any key can cancel alarm sound, system back to display the normal working mode when the temperature restore to normal measuring range.

Safety Regulations

★ Danger:

1. Strictly distinguish the sensor down-lead, power wire and output relay interface from one another, and prohibit wrong connections or overloading the relay
2. Dangers: Prohibit connecting the wire terminals without electricity cut-off

★ Warning:

Prohibit using the machine under the environment of over damp, high temp., strong electromagnetism interference or strong corrosion.

★ Notice:

1. The power supply should conform to the voltage value indicated in the instruction.
2. To avoid the interference, the sensor down-lead and power wire should be kept a proper distance.



Customer Service:

We strive for a high quality product and customer experience. If there are any issues with the product, please feel free to contact our customer service before leaving a review, we will try our best to solve any problem. If you have just 2 minutes to spare and are enjoying your product please follow the steps below:


1. Log into your account on Amazon. click "your account", and then click "your Orders".
2. Click on the product you purchased, and select the "Create your own review" button in the middle of the page.

Thank you and have nice day!

Sincerely,
diymore Customer Service Team

<https://www.diymore.cc>
<https://www.amazon.co.uk/diymore>
<https://www.amazon.de/diymore>
<https://www.amazon.com/diymore>
Email: sales@diymore.cc

File Downloads

	DM Instruction Manual Temperature Controller Thermostat Module, STC-1000	Download [optimized] Download
---	---	--

Related Manuals

1. [Pymeter Digital Temperature Controller Thermostat User Manual](#) Pymeter Digital Temperature Controller Thermostat User Manual www.pymeter.com 1. READ...
2. [MYPIN TA Series of Temperature Controller Instruction Manual](#) MYPIN TA Series of Temperature Controller Thank you for selecting...
3. [Autonics LCD Display PID Temperature Controller Instruction Manual](#) Autonics LCD Display PID Temperature Controller Instruction Manual Safety Considerations...
4. [LILYTECH Temperature Controller User Manual](#) LILYTECH Temperature Controller User Manual Working: -10~45°C, 5~85%RH without dew...
5. [KETOTEK Temperature Controller User Manual](#) KETOTEK Temperature Controller Overview Wide range working voltage. Support delay...
6. [Mengshen Humidity Temperature Meter Wet Bulb Temperature Instruction Manual](#) Mengshen Humidity Temperature Meter Wet Bulb Temperature Product Overview This...